

**INSTALLATION FITTING INSTRUCTIONS**  
**ALUMINIUM PEDESTRIAN**  
**GARDEN GATE**  
(BRICK TO BRICK)





# CONTENTS

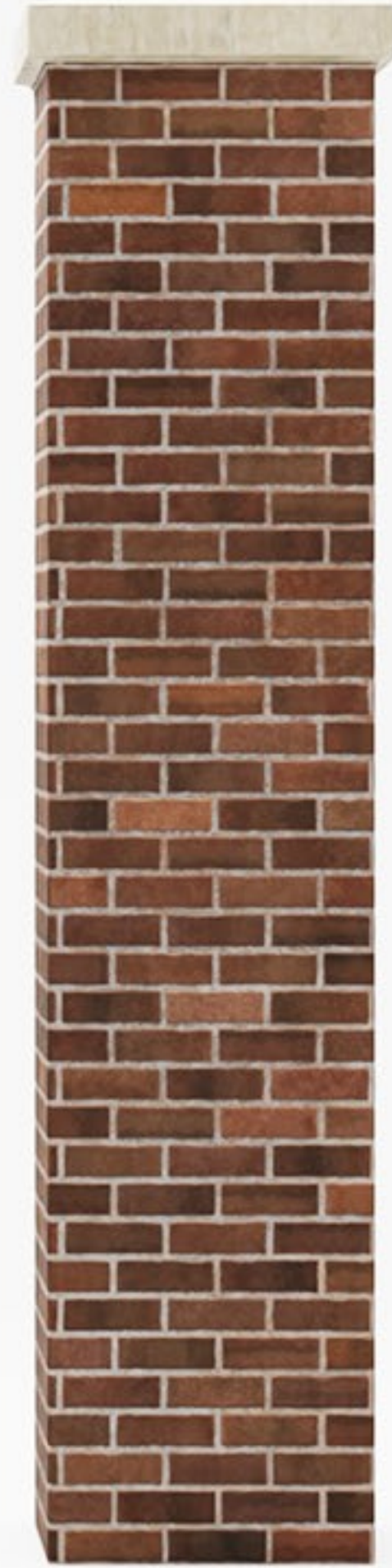


1. CHECK WIDTH OF OPENING
2. MARK HINGE BRACKETS
3. DRILL WALL/BRICK
4. ASSEMBLE SPIGGOT
5. FIX TO WALL
6. PACE GATE ON LOWER SPIGGOT
7. ASSEMBLE UPPER SPIGGOT
8. MARK UPPER BRACKET
9. DRILL HOLES X 2
10. FIX TO WALL
11. LOCK ASSEMBLY
12. SET LATCH DIRECTION
13. HANDLE ASSEMBLY
14. HANDLE
15. HANDLE
16. LOCK KEEP
17. LOCK KEEP
18. LOCK PLATE
19. MARK LOCK KEEP
20. FIX LOCK KEEP
21. ADJUST LOCK KEEP
22. CUT COVER PLATE TO LENGTH – 2 X PLACES
23. FINAL ADJUSTMENTS
24. FIT HINGE CAPS – 2 X PLACES





# 1: CHECK WIDTH OF OPENING

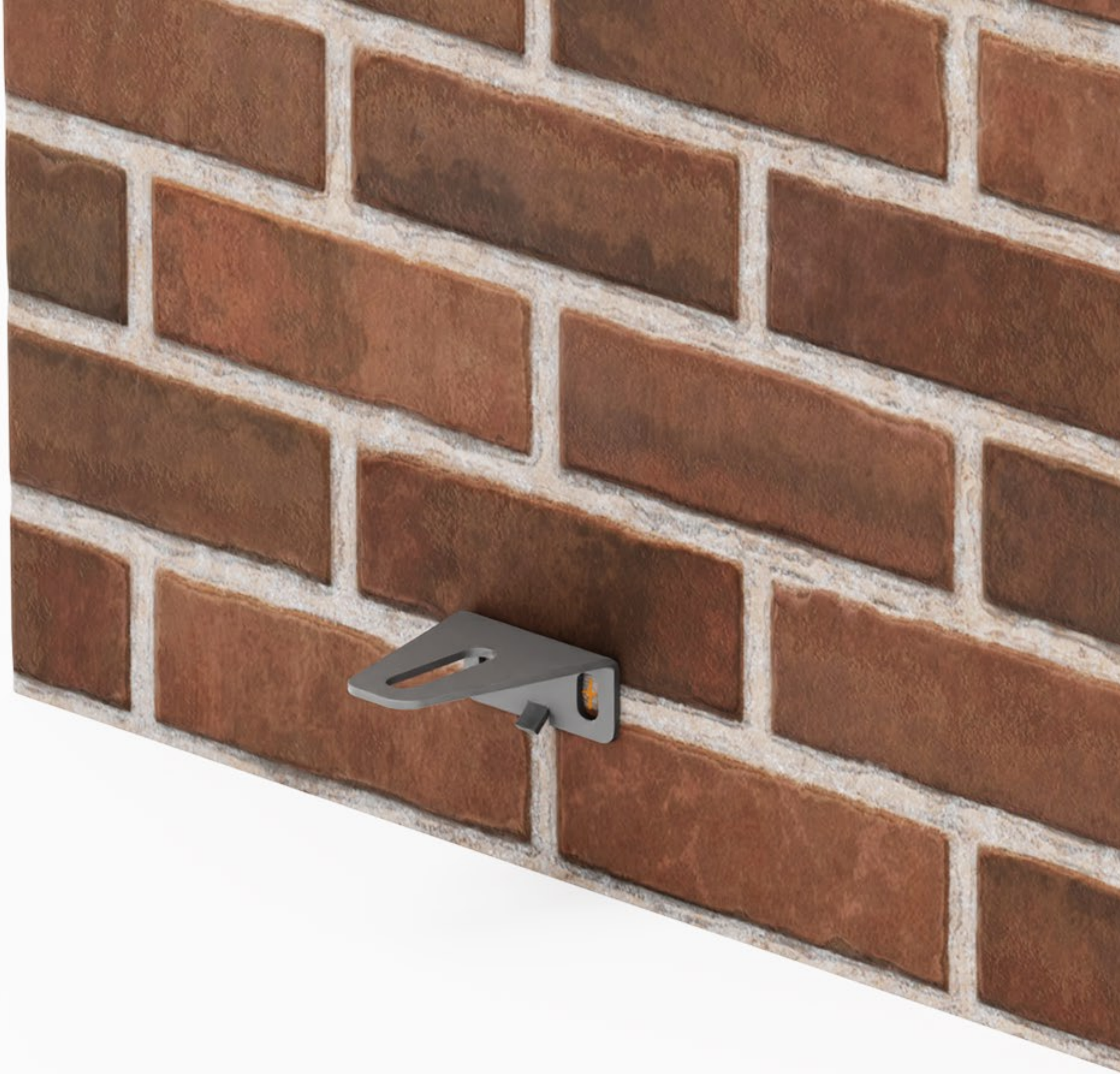


## NOTES

- GATE WIDTH +30MM
- CHOOSE LH RH OPENING







## 2: MARK LOWER BRACKET

## NOTES

- TWO X PLACES





## 3: DRILL WALL / BRICK



## NOTES

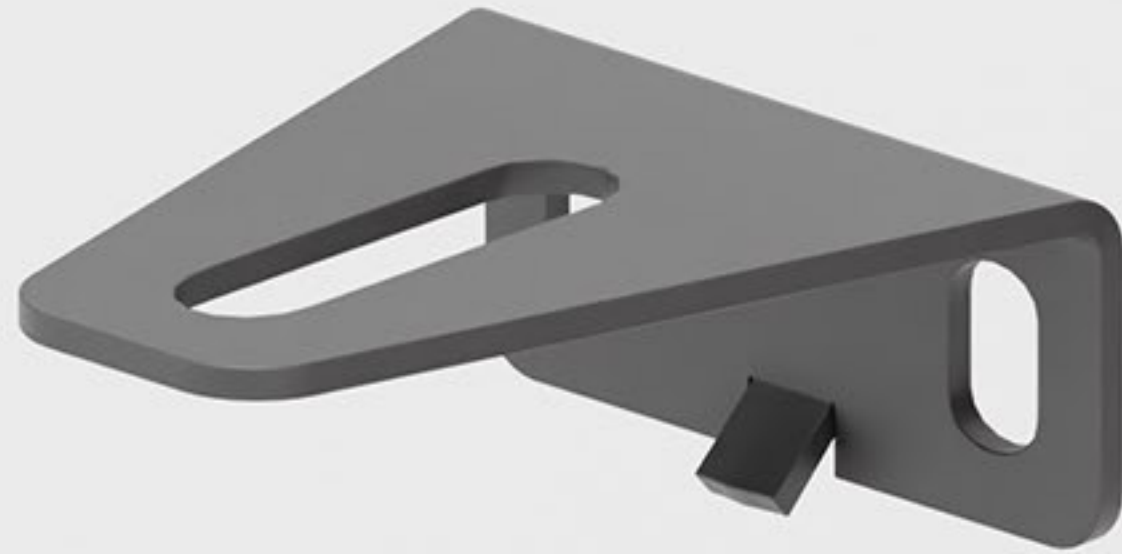
- 10MM DRILL BIT
- MIN 50MM DEPTH



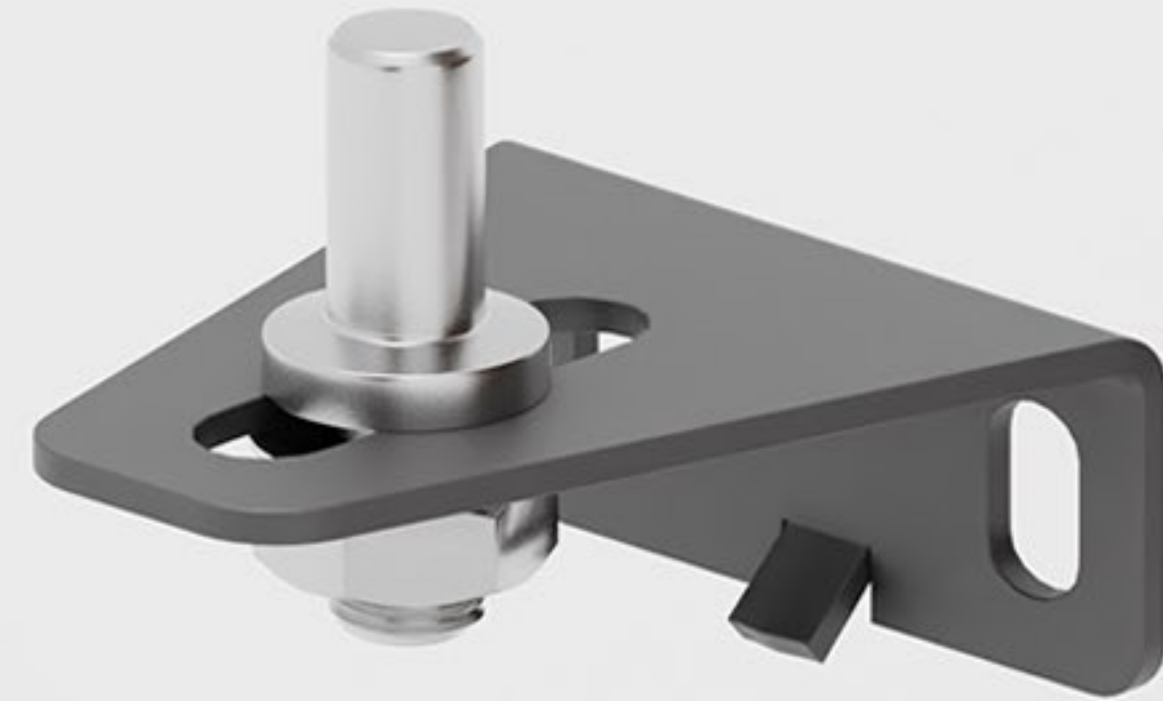


## 4: ASSEMBLE SPIGGOT

**A)**



**B)**



**NOTES**

- DO NOT OVER-TIGHTEN





## **5: FIX TO WALL**

## **NOTES**

- **M10 X 45MM BOLTS**
- **2 X PLACES**
- **WRENCH OR SOCKET SET**





## 6: PLACE GATE ON LOWER SPIGGOT



**A)**



**B)**



## 7: ASSEMBLE UPPER SPIGGOT



### NOTES

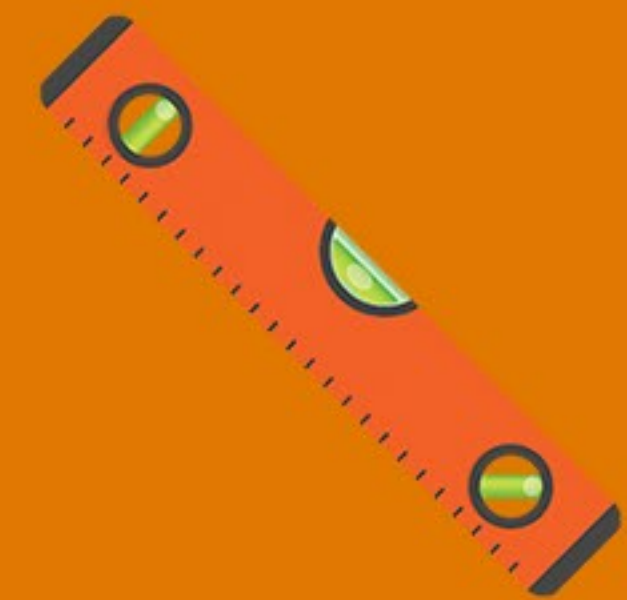
- OPPOSITE TO LOWER BRACKET



## 8: MARK UPPER BRACKET

### NOTES

- HOLD GATE SQUARE
- 2 X PLACES







**9: DRILL HOLES x 2**

**NOTES**

• **10MM DRILL**

• **50MM MIN DEPTH**



## 10: FIX TO WALL

## NOTES

- M10 X 45MM BOLTS
- 2 X PLACES
- WRENCH OR SOCKET SET



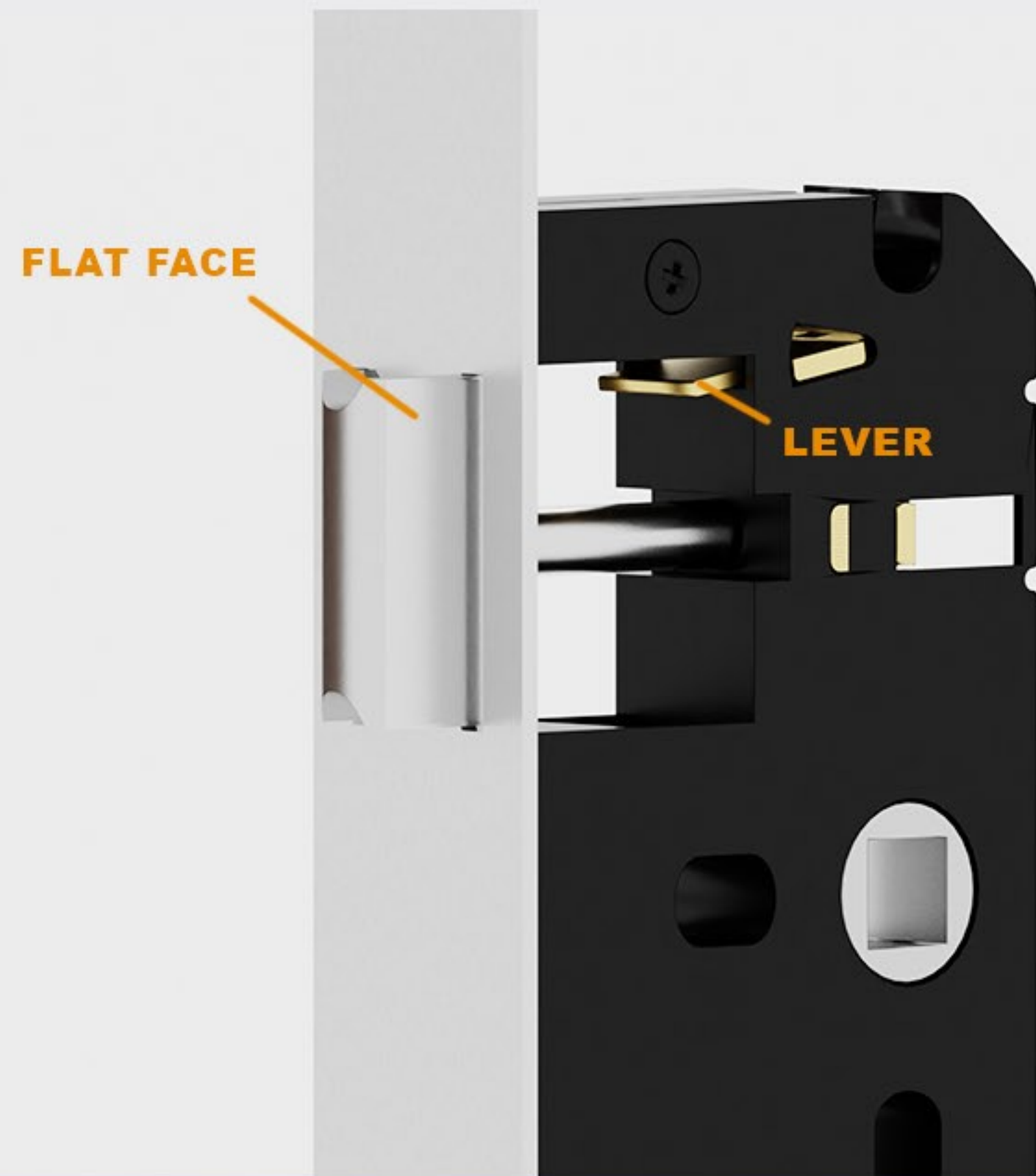


# 11: LOCK ASSEMBLY





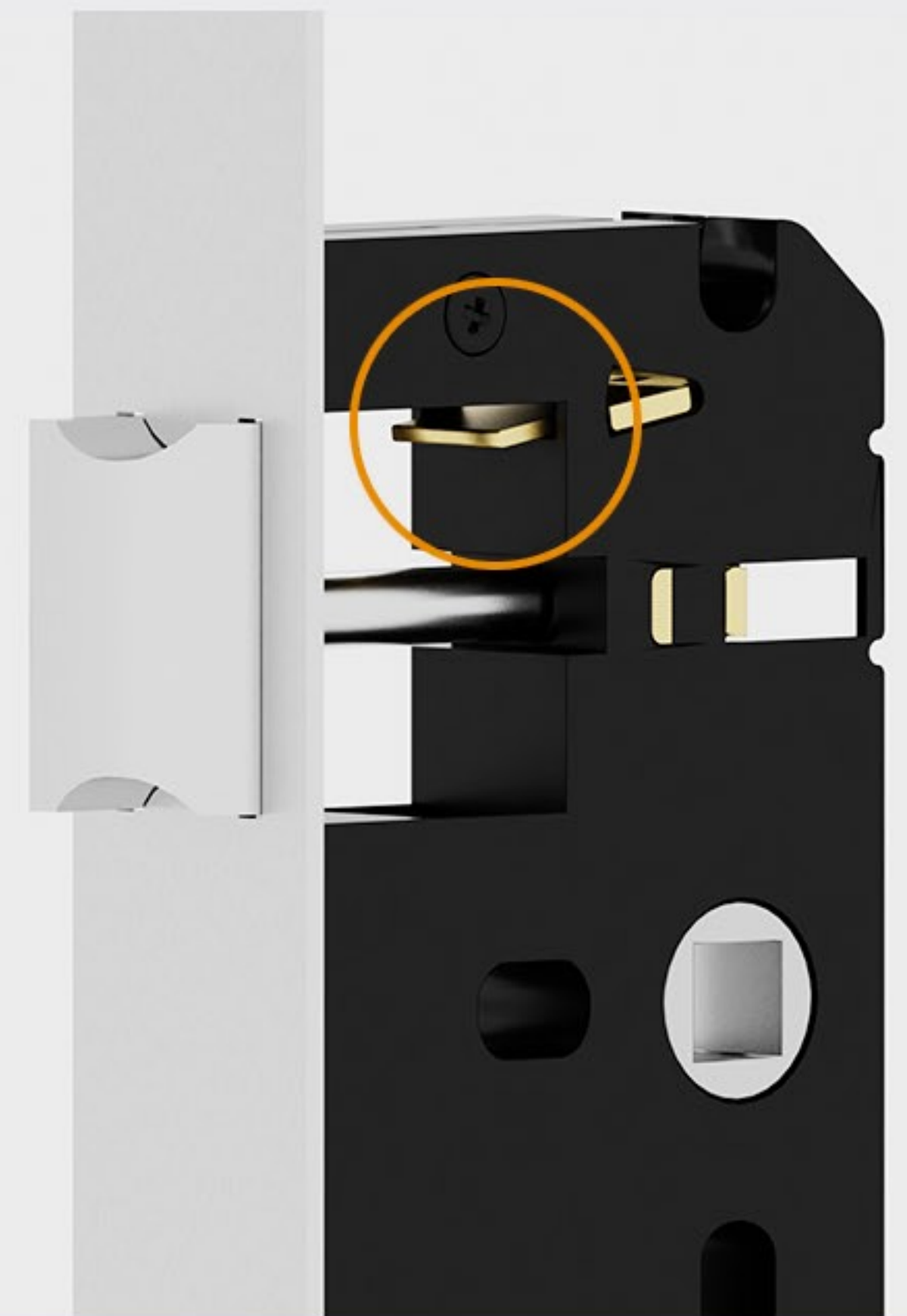
# 12: SET LATCH DIRECTION



**A)** SET FLAT FACE TOWARDS  
INSIDE OF GATE DIRECTION



**B)** TO CHANGE DIRECTION OF  
LATCH LIFT LEVER, DEPRESS  
LATCH AND ROTATE 180°  
INSIDE OF GATE DIRECTION



**C)** ONCE SET ENSURE LEVER  
FALLS BACK TO HOME POSITION



# 13: HANDLE ASSEMBLY



- **M4 X 25MM**  
**2 PLACES**



- **INSERT LOCK**
- **INSERT SPINDLE**



- **M4 X 45MM**  
**2 PLACES**



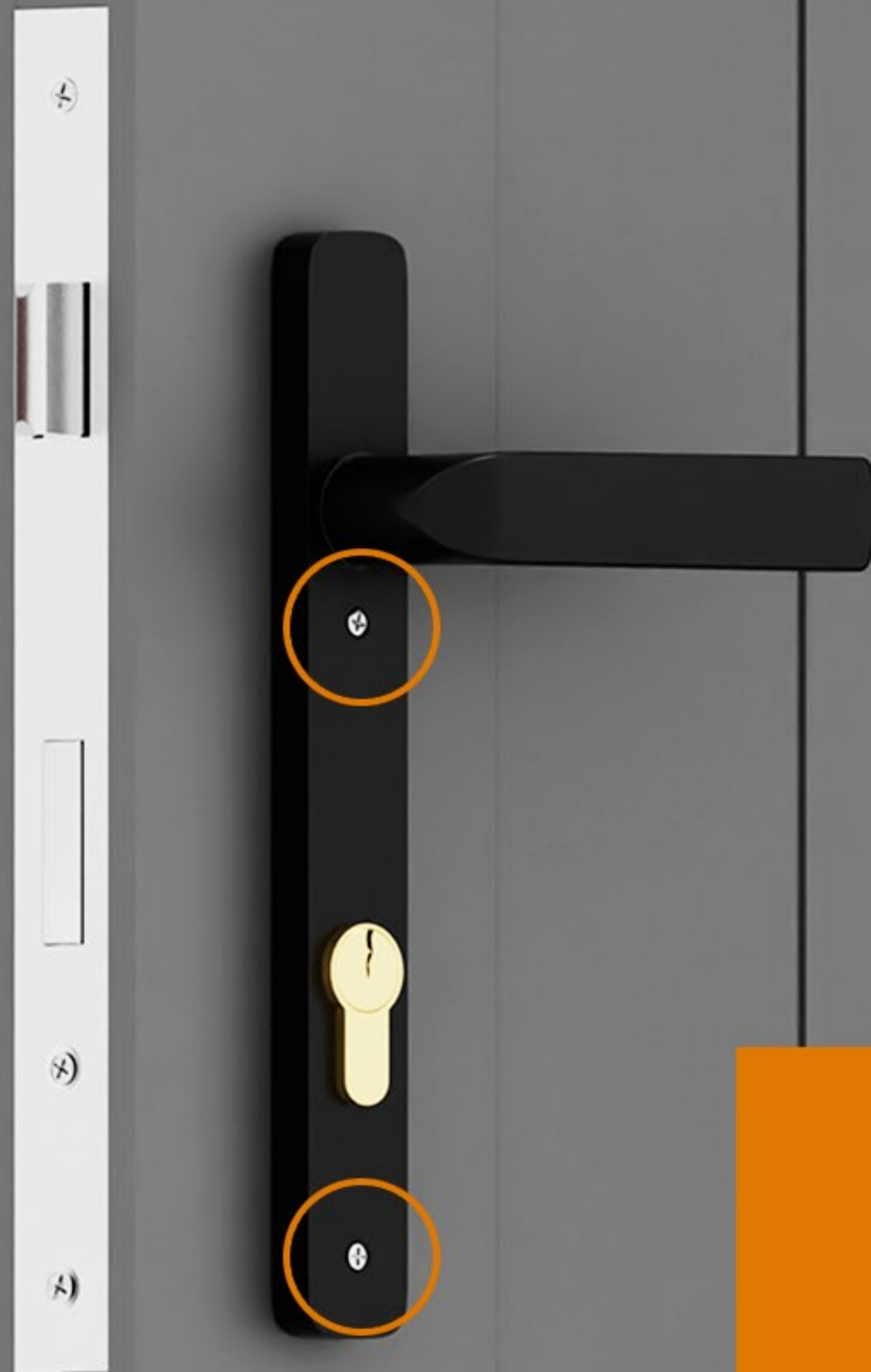
## 14: HANDLE



**SET LH / RH HANDLE ENSURE FIXING HOLES TO INSIDE OF GATE**



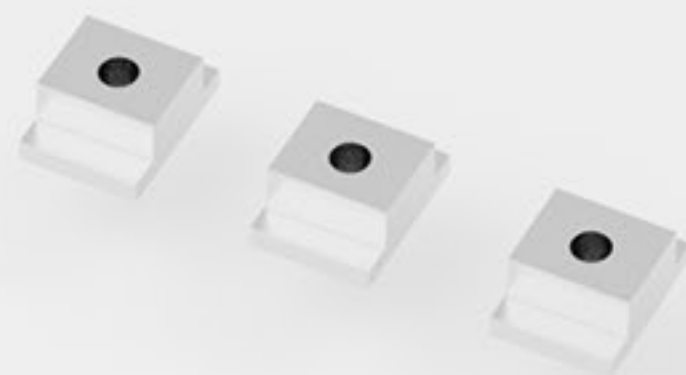
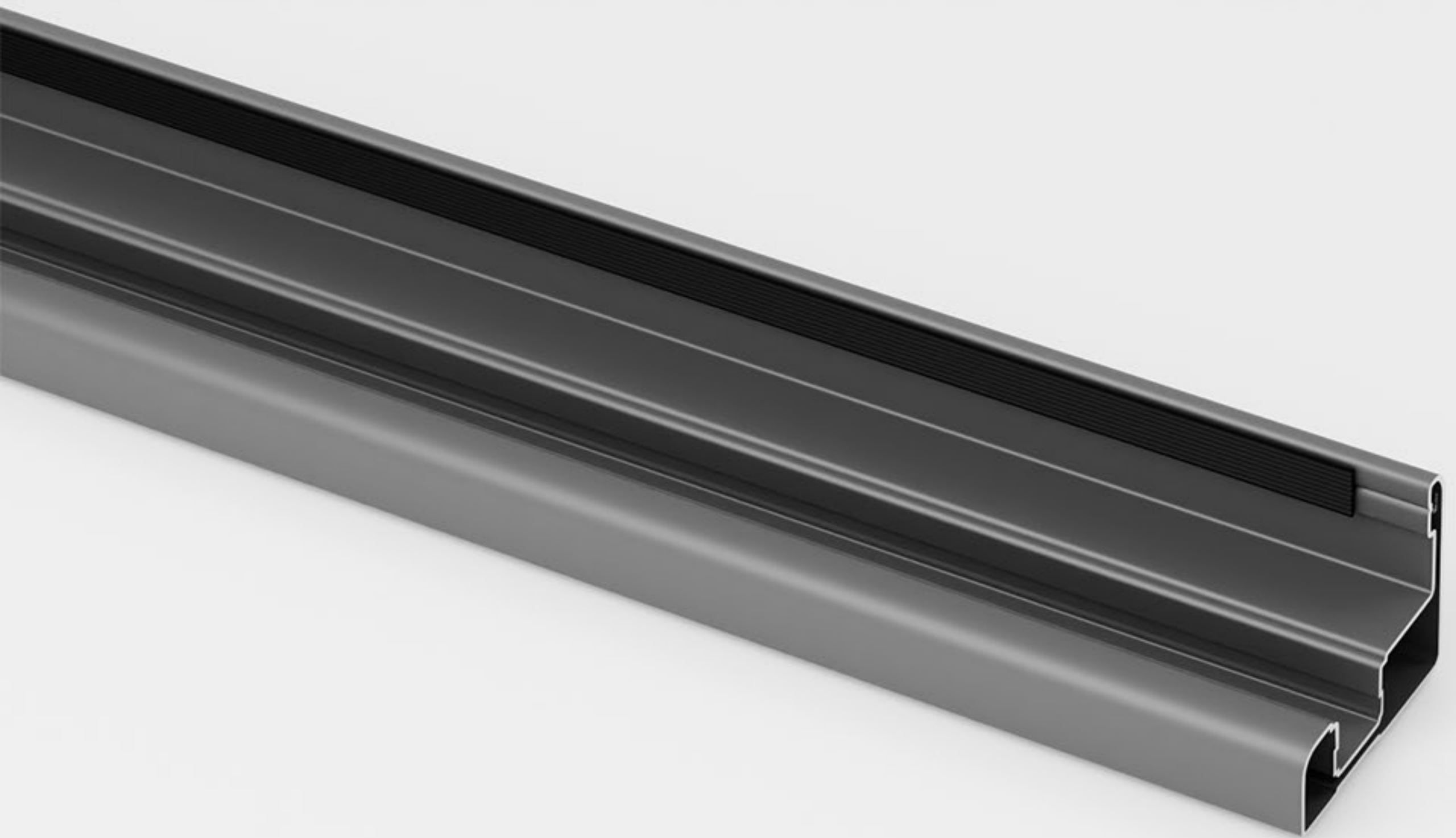
## 15: HANDLE



- **M4 X 60MM**  
**2 PLACES**



## 16: LOCK KEEP



- **LOAD 3 x SCREW BLOCKS**



## 17: LOCK KEEP

- **SET TO APPROXIMATE CENTRE OF RAIL**





## 18: LOCK PLATE

- **M4 x 25MM**  
**3 x PLACES**

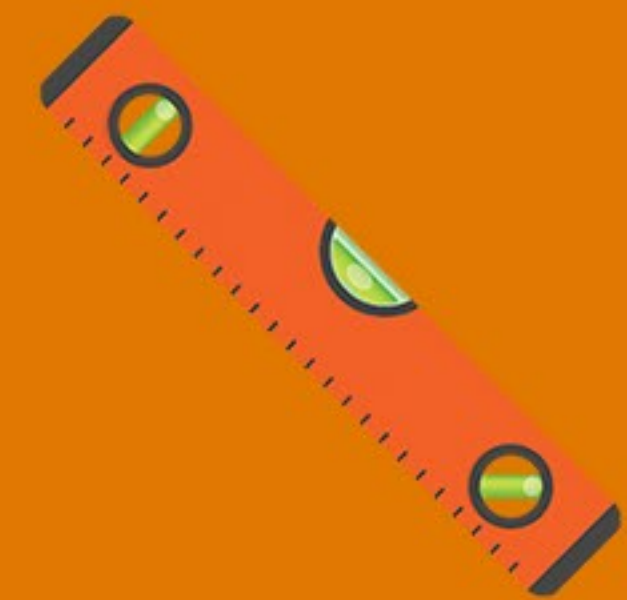






## NOTES

- **HOLD SQUARE**
- **MARK 3 X PLACES**



**19: MARK LOCK KEEP**





## 20: FIX LOCK KEEP

## NOTES

- 8MM DRILL
- 50MM MIN DEPTH
- 3 x WALL PLUGS
- M6 x 45mm BOLTS







**21: ADJUST LOCK KEEP**

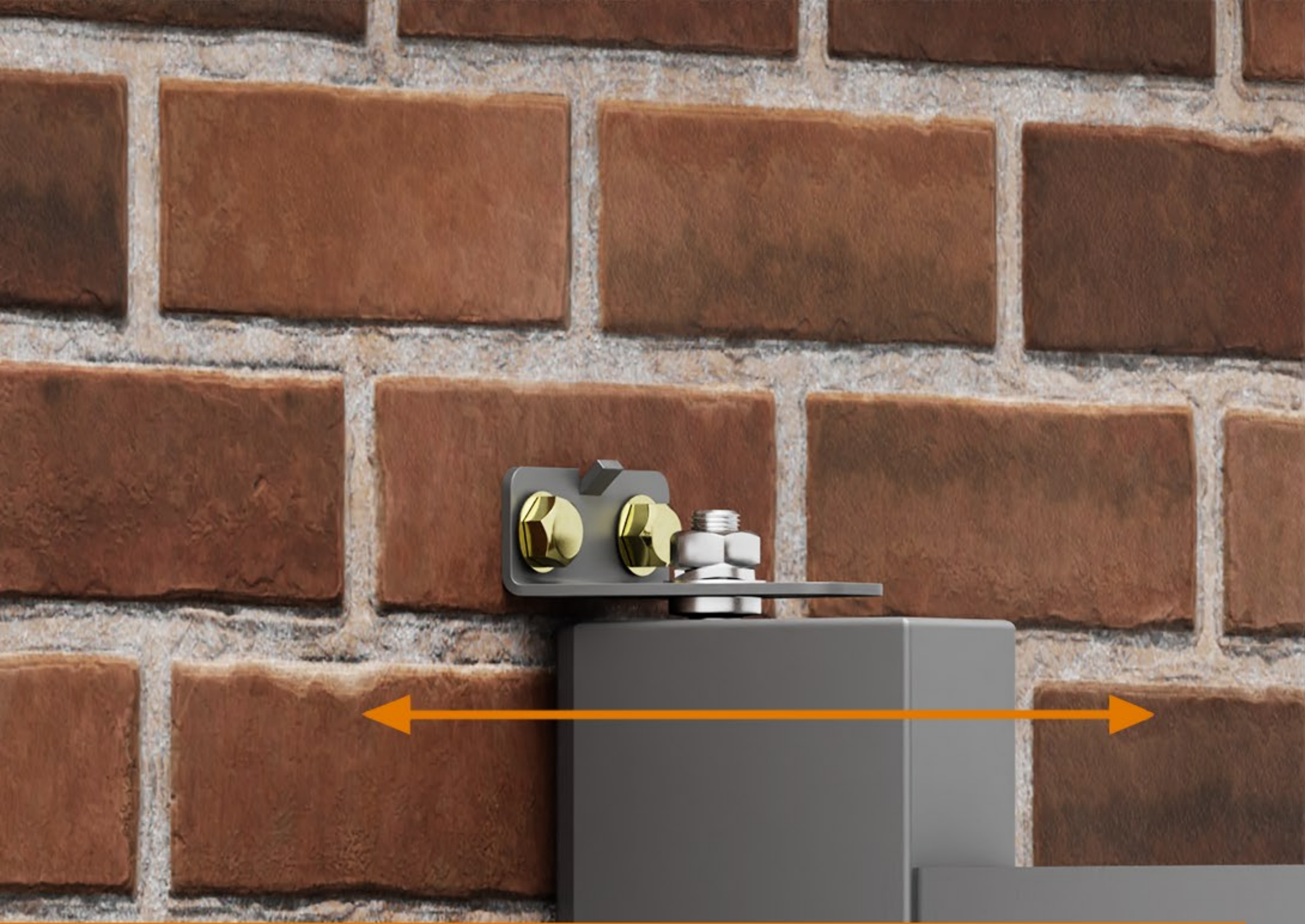
**SET HEIGHT TO LATCH**





**22: CUT COVER PLATE TO LENGTH - 2 x PLACES**





## 23: FINAL ADJUSTMENTS

### NOTES

- **SLACKEN BOLTS**
- **ADJUST TO LATCH**
- **2 x PLACES**







**24: FIT HINGE CAPS - 2 x PLACES**



**PROJECT COMPLETE**

